



Capacitive Evaluation Unit - KSA Series 250 - 115V / 230V AC

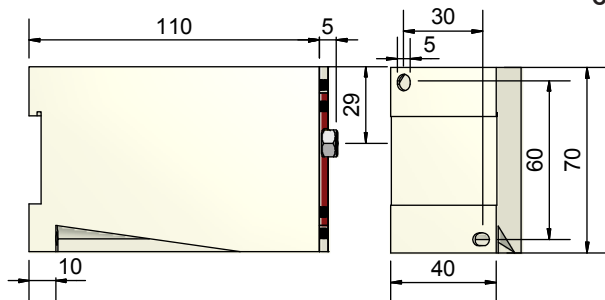
Housing 40 x 70 x 110 mm
 • For capacitive sensors KS-250-M22...M32

Certificate:

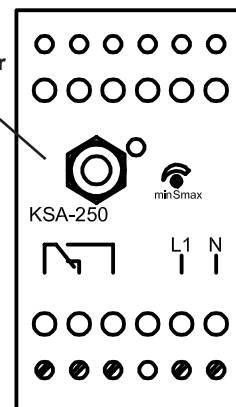


Technical data

Output function	1 x change-over contact	1 x change-over contact
Type	KSA-250 for 2 m	KSA-250 for 2 m
Art.-No.	560 101	560 100
Type	KSA-250 for 5 m	KSA-250 for 5 m
Art.-No.	560 106	560 102
Operating voltage (U _b)	90...130 V AC	200...250 V AC
Contact rating each relay max.	250 V / 6 A / 500 VA	250 V / 6 A / 500 VA
Power consumption	Typ. 3.5 VA	Typ. 3.5 VA
Permitted ambient temperature	-20...+60 °C	-20...+60 °C
LED-display	Yellow	Yellow
Protective circuit	Built-in	Built-in
Degree of protection IEC 60529	IP 20	IP 20
Norm	EN 60947-5-2	EN 60947-5-2
Connection	Screw terminals and Triax-socket	Screw terminals and Triax-socket
Housing material	ABS	ABS



Connection 1 X KS-sensor



Connection
1 x Change-over relay

U_B

Made in Germany

All specifications are subject to change without notice. (07/2011)