



Capacitive Sensors - Sensor In Black
Series 70 - NPN
Series 80 - PNP

Housing M32 x 1.5

- Housing material: PA
- Non-flush mountable
- Sensing distance 3...30 mm adjustable
- With special EMC protection against high static charges
- With metal flange connector M12 x 1

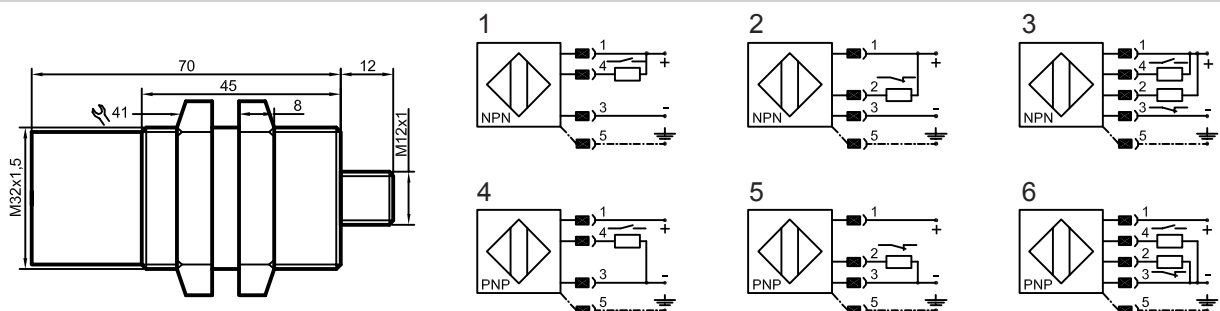
Certificate:



Technical data

Operating distance S_n [mm], flush mounting	15, no
Operating distance min./max. [mm] adjustable	3...30
Electrical version	5-pin DC
Output	antivalent
Type NPN	KAS-70-35-A-K-M32-EST-Y10
Art.-No.	720 501
Connection diagram No.	3

Type PNP	KAS-80-35-A-K-M32-EST-Y10
Art.-No.	820 501
Connection diagram No.	6
Operating voltage (U_B)	10...35 V DC
Output current max. (I_o)	2 x 250 mA
Load current min.	-
Voltage drop max. (U_d)	≤ 2.0 V
Permitted residual ripple max.	10 %
No-load current (I_o)	typ. 15 mA
Frequency of operating cycles max.	50 Hz
Permitted ambient temperature	-25...+70°C
LED-display	green/yellow
Protective circuit	built-in
Degree of protection IEC 529	IP 67
Connection	metal flange connector M12 x 1
Housing material	PA
Active surface	PA
Lid	PA



All specifications are subject to change without notice. (08/2004)