



PER LeVeL Capacitive evaluation unit - KFA

NPN output

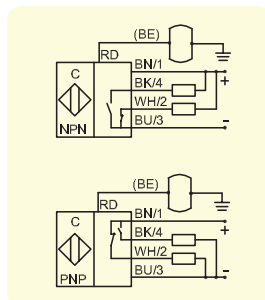
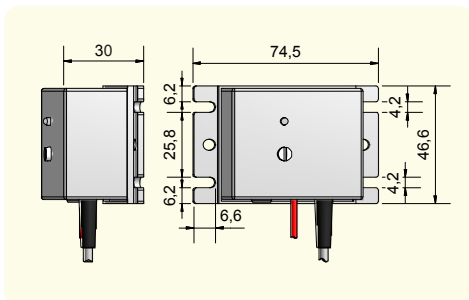
PNP output

- For capacitive filling level probes with 1 limit value switching point: KFS-51-„L“-15-Y55
- Operating voltage: 18...36 V DC



Technical data

Electrical version	4-wire DC
Output function	Antivalent
Type NPN	KFA-5-1-B-N-A-Z02-Y50
Art. No	AF 0005
Connection diagram No.	3
Type PNP	KFA-5-1-B-P-A-Z02-Y50
Art. No.	AF 0004
Connection diagram No.	6
Operating voltage (U_B)	18...36 V DC
Voltage drop max. (U_d)	$\leq 2,5$ V
Permitted residual ripple max.	25 %
Operating current (I_o)	2 x 0...250 mA
No-load current (I_o)	Typ. 50 mA
Switching frequency max.	4 Hz
Permitted ambient temperature	-25...+55 °C
LED-Display	Green / yellow
Protective circuit	Built-in
Degree of protection IEC 60529	IP 54
Norm	EN 60947-5-2
Connection cable	2 m, PUR, 4 x 0.14 mm ²
Housing material	PA



Made in Germany

All specifications are subject to change without notice. (11/2016)