



**Capacitive evaluation unit - KFA**  
Series **PER LEVEL®**

**PNP output**

- For capacitive filling level probes with 1 limit value switching point: KFS-5-1-...-15-Y95
- Operating voltage: 18...36 V DC
- With sensor break control
- With adjustable turn-off delay of 0...15 sec.

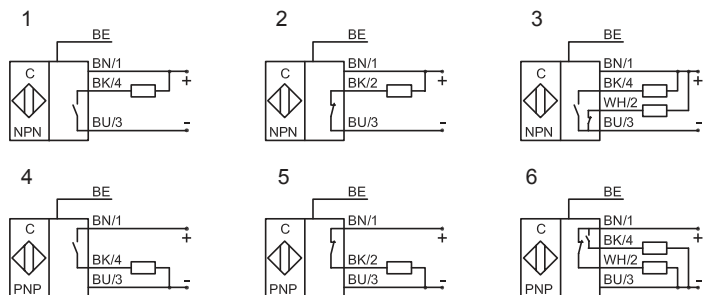
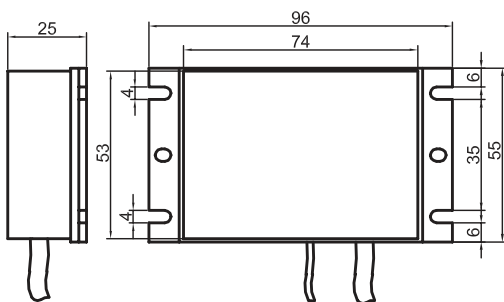
Certificate:



**Technical data**

Electrical version	4 wire DC
Output function	Antivalent
Type NPN	
Art. No	
Connection diagram No.	
Type PNP	KFA-5-1-L-P-A-FB-TD-Y90
Art. No.	AF 0082
Connection diagram No.	6
Operating voltage (U <sub>B</sub> )	18...36 V DC
Output current max. (I <sub>o</sub> )	2 x 250 mA
Voltage drop max. (U <sub>d</sub> )	≤ 2,5 V
Permitted ripple max.	40 %
No-load current (I <sub>o</sub> )	Typ. 50 mA
Switching frequency max.	4 Hz
Permitted ambient temperature	-25...+55 °C
LED display	Green/yellow
Protection circuit	Built-in
Degree of protection IEC 60529	IP 54
Norm	EN 60947-5-2
Connection cable	2 m, PVC, 4 x 0,34 mm <sup>2</sup>
Housing material	PA

All specifications are subject to change without notice. (09.07.2008)



**Made in Germany**