



**Capacitive Evaluation Unit - KFA**  
**Series PER LEVEL**  
**Relay output**

- For connection of one capacitive level probes with 1 limit value switching point KFS-5-1-...-Y55
- Operating voltage 115 / 230 V AC

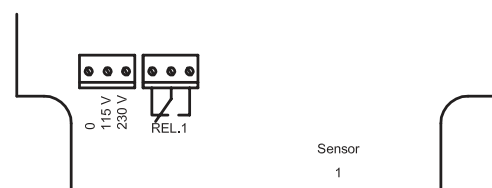
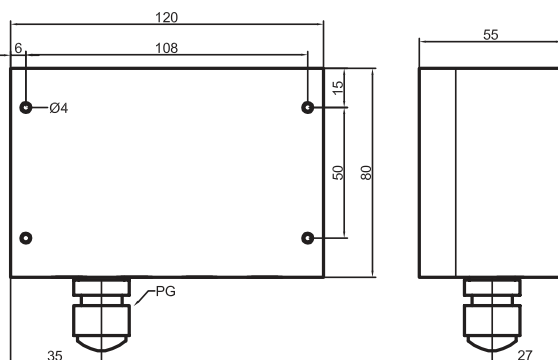
Certificate:



Technical data

Output	1 x change-over contact
Type	KFA-5-1-XL-I-CC-Y50
Art.-No.	AF 0101
Operating voltage ( $U_B$ )	105...125/207...253 AC 50/60 Hz
Contact rating each relay max.	Max. 120 V DC/1A-250 V AC/4A
Permitted residual ripple max.	-
Power consumption	Typ. 3 VA
Permitted ambient temperature	-25...+55 °C
LED-display	Green ( $U_B$ stand by)
LED-display	Static: green / red (full / empty)
Protective circuit	-
Norm	EN 60947-5-2
Degree of protection IEC 60529	IP 54
Connection	CC-Screwing clamp terminals and ODU-sockets
Housing material	ABS

All specifications are subject to change without notice. (10/2008)



Made in Germany