



TRUE L&V&L Capacitive Evaluation Unit - KFA Analogue voltage output 0...10 V

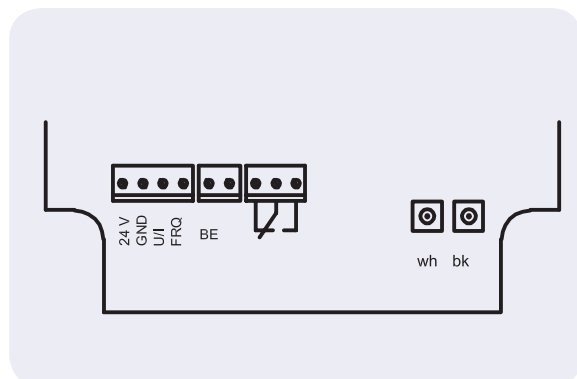
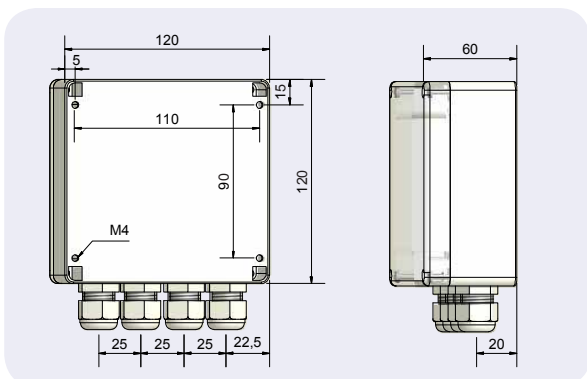
- For capacitive level probes with analogue measuring range KFS-1-...-Y75
- Operating voltage 18...36 V DC
- Potential-free change over contact as signal output
- For materials with ϵ_r 1,2...30



Technical data

Output function	Analogue
Type Analogue	KFA-1-200-XXL-IL-0-Y70
Art.- No.	AF 0133
Type Analogue	KFA-1-500-XXL-IL-0-Y70
Art.-No.	AF 0134
Type Analogue	KFA-1-1000-XXL-IL-0-Y70
Art.-No.	AF 0135
Type Analogue	KFA-1-2000-XXL-IL-0-Y70
Art.-No.	AF 0136
Operating voltage (U_B)	18...36 V DC
Permitted residual ripple max.	25 %
Analogue output	0...10 V
Load resistance (R_L)	$\geq 2 \text{ k}\Omega$
Power consumption (outputs no-load)	Typ. 3 W
Permitted ambient temperature	-25...+55 °C
LED-Display	Green / U_B standby
LED-Display	Green-yellow / filling level
Protective circuit	Built-in
Degree of protection IEC 60529	IP 54
Norm	EN 60947-5-2*
Connection	Sockets
Housing material	ABS

*Where applicable



Made in Germany

All specifications are subject to change without notice. (11/2016)