



## Capacitive Sensors

Series 70 - NPN - StEx- ATEX    Series 80 - PNP - StEx - ATEX

Housing M 30 x 1.5

- For use in areas with the risk of dust explosion, zone 20
- For use in areas with the risk of gas explosion, zone 1
- Sensing distance 3...25 mm adjustable

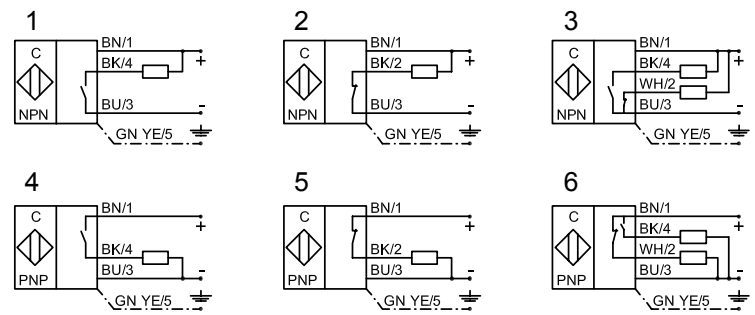
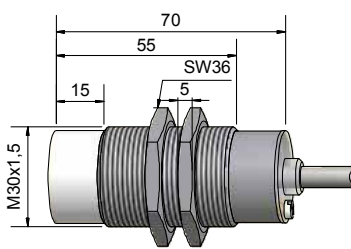
DMT 01 ATEX E 157	IECEX BVS 07.0015
II 2 G Ex mb IIC T4 Gb	Ex mb IIC T4 Gb
II 1/2 D Ex ta/tb IIIC T101°C Da/Db	Ex ta/tb IIIC T101°C Da/Db



Quattro<sup>EX</sup>Protect™

Technical data	Non-flush mountable
Operating distance $S_n$	15 mm
Operating distance min. / max. adjustable	3...25 mm
Electrical version	4-wire DC
Output function	Antivalent
<b>Type NPN</b>	<b>KAS-70-A24-A-StEx</b>
<b>Art.-No.</b>	<b>KA 0085</b>
Connection diagram No.	3
<b>Type PNP</b>	<b>KAS-80-A24-A-StEx</b>
<b>Art.-No.</b>	<b>KA 0084</b>
Connection diagram No.	6
Operating voltage ( $U_B$ )	10...30 V DC
Output current max. ( $I_e$ )	2 x 150 mA
Voltage drop max. ( $U_o$ )	≤ 2.0 V
Permitted residual ripple max.	5 %
No-load current ( $I_o$ )	Typ. 15 mA
Frequency of operating cycles max.	50 Hz
Permitted ambient temperature	-20...+70 °C
LED-display	Green / yellow
Protective circuit	Built-in
Degree of protection IEC 60529	IP 67*
Norm	EN 60947-5-2
Connection cable	3 m, PVC, 5 x 0.34 mm <sup>2</sup>
Housing material	VA No. 1.4305
Active surface	PTFE (FDA 21 CFR 177.1550)
Lid	PC (FDA 21 CFR 177.1580)
Media optimized	Yes
<b>Accessories</b> (is delivered with the unit)	2 pieces nuts M 30

\* With sealed potentiometer screw



Made in Germany

All specifications are subject to change without notice. (06/2014)