



Capacitive Sensors Series 40 - NAMUR EN 60947-5-6

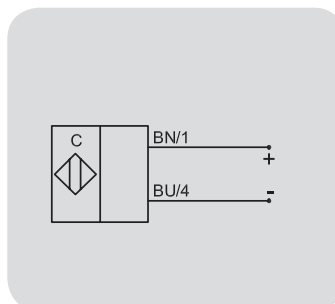
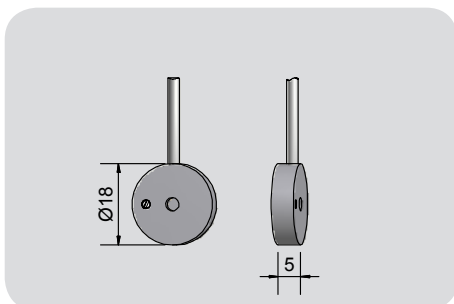
Housing \varnothing 18 mm

- Housing material: Stainless steel VA No. 1.4305 / AISI 303
- Sensing distance 1...5 mm adjustable, if used in connection with the switching amplifier TS-120...



Technical data	Flush mountable
Operating distance S_n	4 mm
Operating distance min. / max. adjustable	1...5 mm
Electrical version	2-wire DC
Output function	NAMUR DIN 60947-5-6
Type	KAS-40-18/5-N
Art.-No.	KA 0308
Operating voltage (U_B)	$U_i = 15 \text{ V DC}$
Output current active surface free	< Typ. 1.5 mA
Output current active surface covered	> Typ. 2.5 mA
Self-inductance (L)	210 mH
Self-capacitance (C)	250 nF
Permitted residual ripple max.	5%
Frequency of operating cycles max.	50 Hz
Permitted ambient temperature	-25...+70 °C
Degree of protection IEC 60529	IP 67
Connection cable	2 m, PUR, 2 x 0.14 mm ²
Housing material	VA No. 1.4305 / AISI 303
Active surface	PTFE (FDA 21 CFR 177.1550)
Lid	-

All specifications are subject to change without notice. (22.01.2015)



Made in Germany