



## Capacitive Evaluation Unit

Series 70-14-...-BB - NPN  
Series 80-14-...-BB - PNP

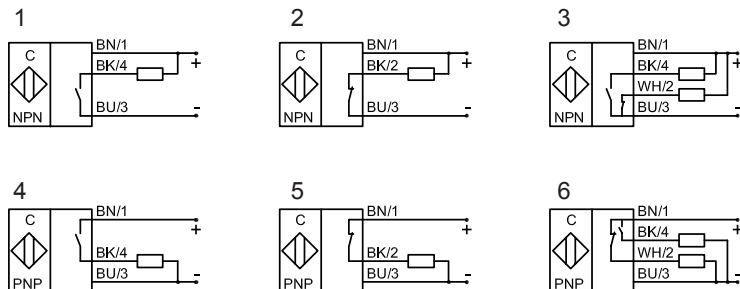
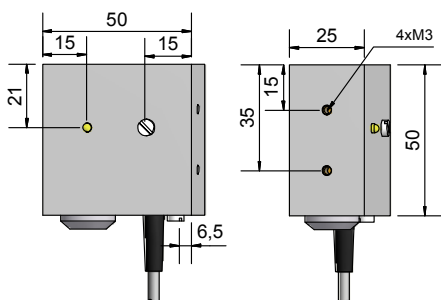
- Housing 50 x 50 x 25 mm
- For capacitive sensors KS-250-M18/...
  - Hysteresis adjustable

Certificate:



### Technical data

Electrical version	3-wire DC	3-wire DC
Output function	Normally open	Normally closed
<b>Type NPN</b>	<b>KSA-70-14-M18/30-S-BB</b>	
<b>Art.-No.</b>	<b>563 100</b>	
Connection diagram No.	1	
<b>Type PNP</b>	<b>KSA-80-14-M18/30-S-BB</b>	<b>KSA-80-14-M18/30-Ö-BB</b>
<b>Art.-No.</b>	<b>563 500</b>	<b>563 700</b>
Connection diagram No.	4	5
Operating voltage ( $U_B$ )	10...35 V DC	10...35 V DC
Output current max. ( $I_o$ )	400 mA	400 mA
Voltage drop max. ( $U_d$ )	$\leq 2.5$ V	$\leq 2.5$ V
Permitted residual ripple max.	10 %	10 %
No-load current ( $I_o$ )	Typ. 10 mA	Typ. 10 mA
Frequency of operating cycles max.	50 Hz	50 Hz
Permitted ambient temperature	-25...+70 °C	-25...+70 °C
LED-display	Yellow	Yellow
Protective circuit	Built-in	Built-in
Degree of protection IEC 60529	IP 67	IP 67
Norm	EN 60947-5-2	EN 60947-5-2
Connection cable	2 m PVC, 3 x 0.14 mm <sup>2</sup>	2 m PVC, 3 x 0.14 mm <sup>2</sup>
Housing material	PA	PA



**Made in Germany**

All specifications are subject to change without notice. (04/2016)