

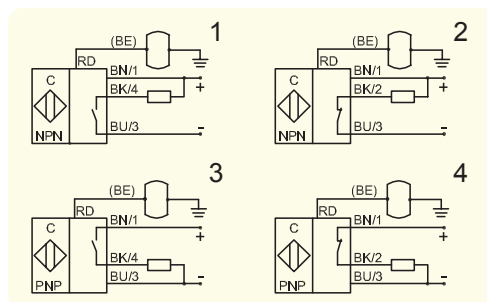
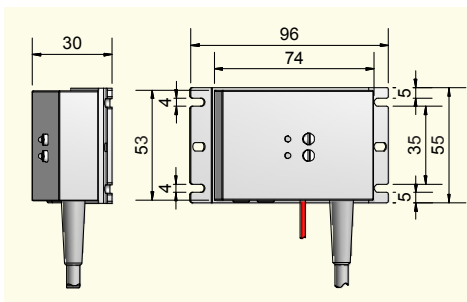


PER **LeVEL** Capacitive evaluation unit - KFA
NPN output
PNP output

- For 2 capacitive filling level probes with 1 limit value switching point: KFS-51-"L"-15-Y55
- For 1 capacitive filling level probe with 2 limit value switching points KFS-52-"L"-15-X2-Y55
- Operating voltage: 18...36 V DC



Technical data		
Electrical version	4 wire DC	4 wire DC
Output function	Normally open	Normally closed
Type NPN	KFA-5-2-L-N-S-Z02-Y50	KFA-5-2-L-N-Ö-Z02-Y50
Art. No	AF 0066	AF 0067
Connection diagram No.	1	2
Type PNP	KFA-5-2-L-P-S-Z02-Y50	KFA-5-2-L-P-Ö-Z02-Y50
Art. No.	AF 0065	AF 0062
Connection diagram No.	3	4
Operating voltage (U_B)	18...36 V DC	18...36 V DC
Voltage drop max. (U_D)	≤ 2.5 V	≤ 2.5 V
Permitted ripple max.	25 %	25 %
Operating current (I_B)	2 x 0...250 mA	2 x 0...250 mA
No-load current (I_0)	Typ. 75 mA	Typ. 75 mA
Switching frequency max.	4 Hz	4 Hz
Permitted ambient temperature	-25...+55 °C	-25...+55 °C
LED display	Green / yellow	Green / yellow
Protection circuit	Built-in	Built-in
Degree of protection IEC 60529	IP 54	IP 54
Norm	EN 60947-5-2	EN 60947-5-2
Connection cable	2 m, PVC, 4 x 0.34 mm ²	2 m, PVC, 4 x 0.34 mm ²
Housing material	PA	PA



Made in Germany

All specifications are subject to change without notice. (11/2016)