



Capacitive Filling Level Evaluator - KFA Series PER LEVEL®

PNP Output

- For capacitive filling level probes with 1 limit value switching point
KFS-5-1-...-15-Y55
KFS-5-1-...-15-AL-1" with plug connection Art.-no. 66101213
KFS-5-1-...-15-VA-1" with plug connection Art.-No. 66101213
- Operating voltage 18...36 V DC
- With sensor break control

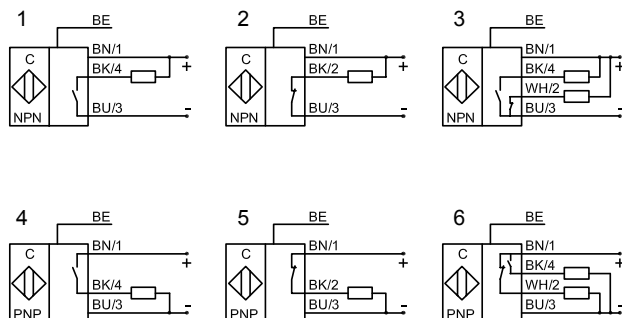
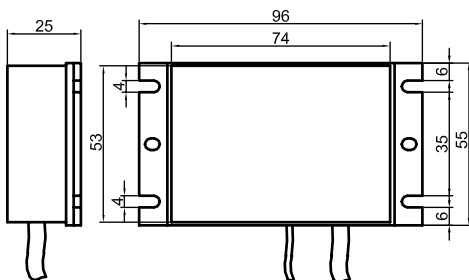
Certificate:



Technical data

Electrical version	4 wire DC
Output function	Antivalent
Type PNP	KFA-5-1-L-P-A-1FB-Y50
Art. No.	AF 0071
Connection diagram No.	6
Operating voltage (U_B)	18...36 V DC
Output current max. (I_o)	2 x 250 mA
Voltage drop max. (U_d)	≤ 2.5 V
Permitted ripple max.	40 %
No-load current (I_o)	Typ. 75 mA
Switching frequency max.	4 Hz
Permitted ambient temperature	-25...+55 °C
LED display	Green / red full / empty
LED display U_B / wire break control	Green / green flashing
Protection circuit	Built-in
Degree of protection IEC 60529	IP 54
Norm	EN 60947-5-2
Connection cable	2 m, PVC, 4 x 0.34 mm ²
Housing material	PA

All specifications are subject to change without notice. (28.02.2011)



Made in Germany