



Capacitive Filling Level Evaluator - KFA
Series *PER LEVEL*

Relay Output

- For connection to 1 capacitive filling level probe with 2 limit value switching points KFS-5-2-...-Y55 or 2 filling level probes with 1 limit value switching point KFS-5-1-...-Y55
- Operating voltage 18...36 V DC

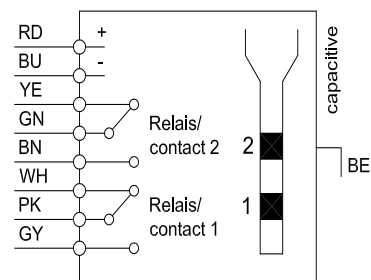
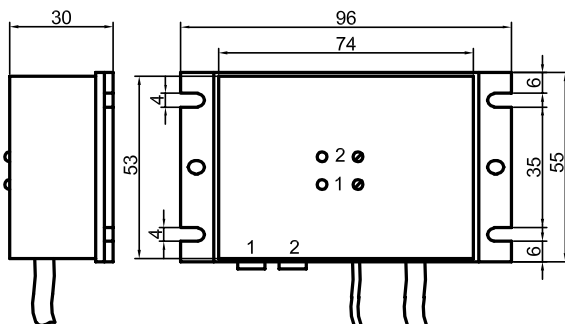
Certificate:



Technical Data

Electrical version	8-wire DC
Output function	2 x relay output
Type PNP	KFA-5-2-L-II-Y50
Art.-No.	AF 0073
Connection diagram No.	See below
Operating voltage (U_B)	18...36 V DC
Contact rating	1,0 A with 30 V DC 0,5 A with 125 V AC 0,3 A with 60 V DC
Permitted residual ripple max.	40 %
Output current	Typ. 90 mA
	4 Hz
Permitted ambient temperature	-25...+55 °C
LED - Display	Green / yellow
Protective circuit	Built-in
Degree of protection IEC 60529	IP 54
Norm	EN 60947-5-2
Connection cable	2 m, PUR, 8 x 0.25 mm ²
Probe connection	Connector Y55
Housing material	PA

All specifications are subject to change without notice. (19.05.2010)



Made in Germany