



## Capacitive Sensors

Series 70 - NPN - StEx- ATEX      Series 80 - PNP - StEx - ATEX

Housing M 32 x 1.5

- For use in areas with the risk of dust explosion, zone 20
- For use in areas with the risk of gas explosion, zone 1
- Sensing distance 3...30 mm adjustable

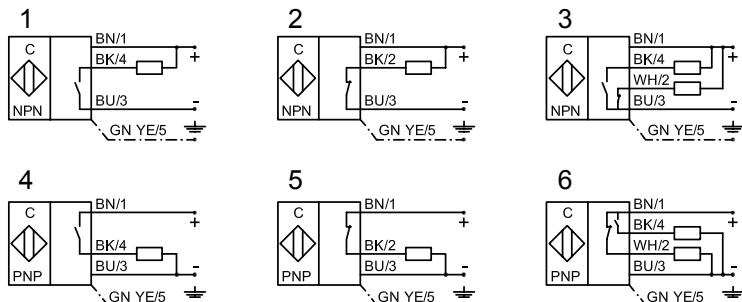
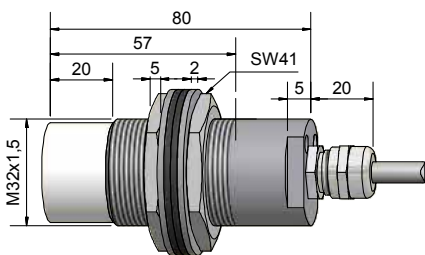
DMT 01 ATEX E 157	IECEX BVS 07.0015
II 2 G Ex mb IIC T4 Gb	Ex mb IIC T4 Gb
II 1/2 D Ex ta/tb IIIC T101°C Da/Db	Ex ta/tb IIIC T101°C Da/Db



Quattro<sup>EX</sup>Protect™

Technical data	Non-flush mountable	Non-flush mountable
Operating distance $S_n$	20 mm	20 mm
Operating distance min./max. adjustable	3...30 mm	3...30 mm
Electrical version	3-wire DC	4-wire DC
Output function	Normally open	Antivalent
<b>Type NPN</b>	<b>KAS-70-35-S-M32-StEx</b>	<b>KAS-70-35-A-M32-StEx</b>
<b>Art.-No.</b>	<b>KA 0090</b>	<b>KA 0089</b>
Connection diagram No.	1	3
<b>Type PNP</b>	<b>KAS-80-35-S-M32-StEx</b>	<b>KAS-80-35-A-M32-StEx</b>
<b>Art.-No.</b>	<b>KA 0087</b>	<b>KA 0086</b>
Connection diagram No.	4	6
Operating voltage ( $U_b$ )	10...30 V DC	10...30 V DC
Output current max. ( $I_o$ )	150 mA	2 x 150 mA
Voltage drop max. ( $U_o$ )	≤ 2.0 V	≤ 2.0 V
Permitted residual ripple max.	10 %	10 %
No-load current ( $I_o$ )	Typ. 15 mA	Typ. 15 mA
Frequency of operating cycles max.	50 Hz	50 Hz
Permitted ambient temperature	-20...+90 °C	-20...+90 °C
LED-display	Yellow	Green / yellow
Protective circuit	Built-in	Built-in
Degree of protection IEC 60529	IP 67*	IP 67*
Norm	EN 60947-5-2	EN 60947-5-2
Connection cable	3 m PVC, 4 x 0.75 mm <sup>2</sup>	3 m, PVC, 5 x 0.34 mm <sup>2</sup>
Housing material	VA No. 1.4305	VA No. 1.4305
Active surface	PTFE (FDA 21 CFR 177.1550)	PTFE (FDA 21 CFR 177.1550)
Lid	VA No. 1.4305	VA No. 1.4305
Media optimized	Yes	
<b>Accessories</b> (is delivered with the unit)	2 pieces nuts M 32, 2 pieces grommets, 2 pieces o-rings	

\* With sealed potentiometer screw



Made in Germany

All specifications are subject to change without notice. (06/2014)