



Capacitive Sensors

Series 80 - PNP

Housing M12 x 1

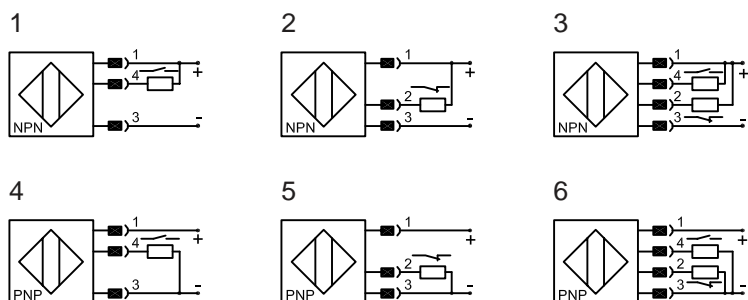
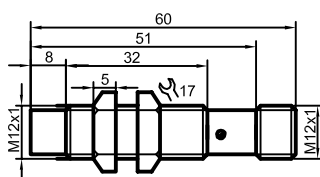
- Housing material: PTFE
- Ideal for detection of chemically aggressive media
- Also suitable for food applications
- Non-flush mountable
- Sensing distance 0.5...10 mm adjustable
- With flange connector M12 x 1

Certificate:

Technical data

Operating distance S_n [mm], flush mounting	4, no
Operating distance min./max. [mm] adjustable	0.5...10
Electrical version	4-pin DC
Output	antivalent
Type NPN	
Art.-No.	
Connection diagram No.	

Type PNP	KAS-80-A22-A-K-PTFE-Y5
Art.-No.	KA 0247
Connection diagram No.	6
Operating voltage (U_B)	10...35 V DC
Output current max. (I_B)	2 x 250 mA
Load current min.	-
Voltage drop max. (U_d)	≤ 2.0 V
Permitted residual ripple max.	10 %
No-load current (I_0)	typ. 15 mA
Frequency of operating cycles max.	50 Hz
Permitted ambient temperature	-25...+70°C
LED-display	yellow
Protective circuit	built-in
Degree of protection IEC 529	IP 67
Connection	flange connector M12 x 1
Housing material	PTFE
Active surface	PTFE
Lid	-



All specifications are subject to change without notice. (24-02-2006)