



Capacitive Sensors Series 80 - PNP

Housing M 32 x 1,5

- For use in zone 22
- Housing material: Brass
- Sensing distance 0.5...30 mm adjustable

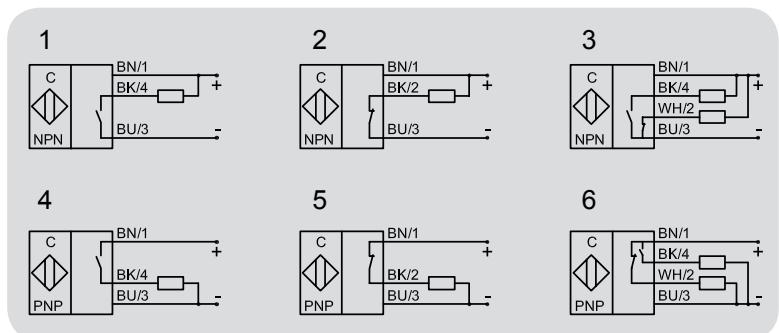
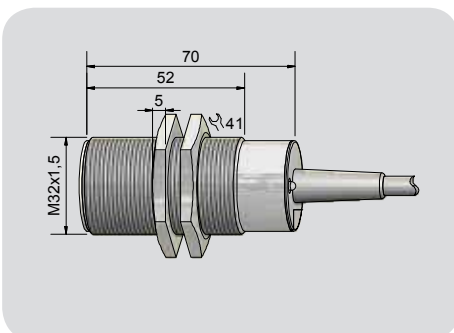
With manufacturer certificate

Ex II 3D Ex mc IIIC T101°C Dc IP67 X



Technical data	Flush mountable
Operating distance S_n	20 mm
Operating distance min. / max. adjustable	0.5...30 mm
Electrical version	4-wire DC
Output function	Antivalent (NO + NC)
Type PNP	KAS-80-30-A-M32-3D
Art.-No.	KA 0274
Connection diagram No	6
Operating voltage (U_B)	10...30 V DC
Voltage drop max. (U_d)	≤ 2.0 V
Permitted residual ripple max.	10 %
Operating current (I_e)	2 x 0...200 mA
No-load current (I_o)	Typ. 15 mA
Frequency of operating cycles max.	200 Hz
Permitted ambient temperature	-25...+70 °C
LED-display	Green / yellow
Protective circuit	Built-in
Degree of protection IEC 529	IP 67*
Norm	EN 60947-5-2
Connection cable	2 m, PVC, 4 x 0.5 mm ²
Housing material	Brass
Active surface	PTFE (FDA 21 CFR 177.1550)
Lid	PA / PPO
Media optimized	Yes
Accessories (delivered with the sensor)	2 nuts M 32 x 1.5

* With sealed potentiometer screw



Made in Germany

All specifications are subject to change without notice. (21.06.2016)