



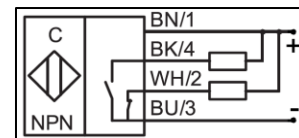
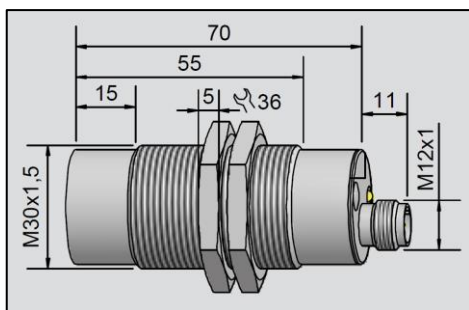
## Capacitive Sensors Series 70 - NPN

- Non-flush mount
- Housing M30 x 1.5
- Capacitive sensor for level and position control
- Housing material: PA / PPO
- Sensing distance 2...25 mm adjustable
- With flange connector M12 x 1



### Technical Data

Article Number	KA0351
Description	KAS-70-A24-A-M30-PPO-Y3-1-NL
Operating distance $S_n$	15 mm
Operating distance min. / max. adjustable	2...25 mm
Electrical version	4-pin DC
Output	Antivalent (NO + NC)
Operating voltage $U_B$	12...30 VDC
Voltage drop max. $U_d$	$\leq 2$ V
Permitted residual ripple max.	5%
Operating Current $I_e$	2 x 0...200 mA
No-load current $I_0$	< 15 mA
Frequency of operating cycles max.	50 Hz
Permitted ambient temperature	-25...+70 °C
LED-display	Yellow
Protective circuit	Built-in
Degree of protection IEC 60529	IP 67*
Norm	EN 60947-5-2
Connection	Flange connector M12 x 1
Housing material	PA / PPO
Active surface	PA / PPO
Lid	PA / PPO
Accessories (delivered with the sensor)	2 nuts M30 x 1.5



\*For IP67 rating: the potentiometer must be sealed.

All Specifications are subject to change without notice

**Made in Canada**