



Capacitive Sensors S26 Series 90 - AC / DC

Capacitive Sensors S26 with hemispherical active surface for level control of products with a dielectric constant ϵ_r as of 1,1.

Products can be:

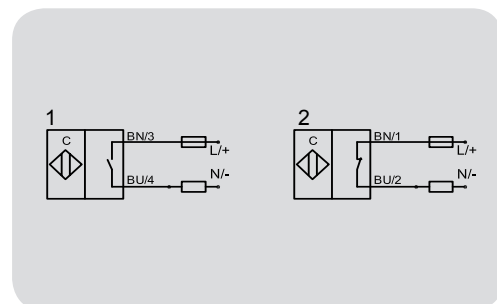
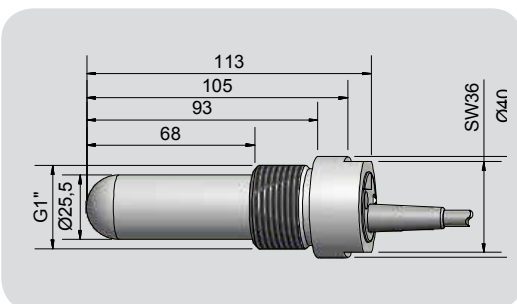
- Bulk material, like plastic granules, powder, cereals, etc.
- Liquids, like water, juice, wine, oil, chemicals or pharmaceutical solutions and much more.
- Pastes in the food processing industry, liquid glue, resins or glue, etc.
- Type of construction G 1"
- Housing material: PTFE



Technical data	Non-flush mountable	Non-flush mountable
Level sensor, in contact with the product	Medium dependent adjustable	Medium dependent adjustable
Operating distance min. / max. adjustable	0...15 mm	0...15 mm
Electrical version	2-wire AC / DC	2-wire AC / DC
Output function	Normally open	Normally closed
Type	KAS-90-26/113-S-G1-PTFE-Z02-1	KAS-90-26/113-Ö-G1-PTFE-Z02-1
Art.-No.	KA 0409	KA 0685
Connection diagram No.	1	2
Operating voltage (U_B)	20...250 V AC / DC	20...250 V AC / DC
Voltage drop max. (U_o)	≤ 6.0 V	≤ 6.0 V
Operating current (I_o)	5...250 mA	5...250 mA
No-load current (I_o)	Typ. 2.5 mA	Typ. 2.5 mA
Frequency of operating cycles max.	25 Hz	25 Hz
Permitted ambient temperature	-25...+70 °C / CIP 121 °C (zero-current)	-25...+70 °C / CIP 121 °C (zero-current)
LED-display	Yellow	Yellow
Protective circuit	Built-in	Built-in
Degree of protection IEC 60529	IP 67*	IP 67*
Norm	EN 60947-5-2	EN 60947-5-2
Connection cable	2 m, PUR, 2 x 0.75 mm ²	2 m, PUR, 2 x 0.75 mm ²
Housing material	PTFE (FDA 21 CFR 177.1550)	PTFE (FDA 21 CFR 177.1550)
Active surface	PTFE (FDA 21 CFR 177.1550)	PTFE (FDA 21 CFR 177.1550)
Lid	PA / PPO	PA / PPO

Accessories (not delivered with the sensor): For varivent adapter, triclamp adapter and welding socket please see our selection of accessories.

* With sealed potentiometer screw



Made in Germany

All specifications are subject to change without notice. (02/2017)