



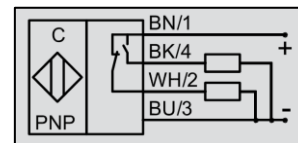
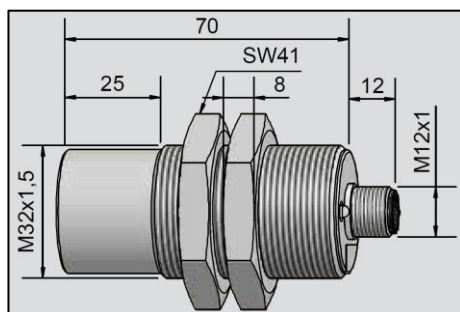
Capacitive Sensors Series 80 - PNP

- Non-flush mount
- Housing M32 x 1.5
- Capacitive sensor for level and position control
- Housing material: PA / PPO
- Sensing distance 2...30 mm adjustable
- With flange connector M12 x 1



Technical Data

| | |
|---|-----------------------------|
| Article Number | KA0417 |
| Description | KAS-80-35-A-M32-PPO-Y3-1-NL |
| Operating distance S_n | 20 mm |
| Operating distance min. / max. adjustable | 2...30 mm |
| Electrical version | 4-pin DC |
| Output | Antivalent (NO + NC) |
| Operating voltage U_B | 12...30 VDC |
| Voltage drop max. U_d | ≤ 2 V |
| Permitted residual ripple max. | 5% |
| Operating Current I_e | 2 x 0...200 mA |
| No-load current I_0 | < 15 mA |
| Frequency of operating cycles max. | 50 Hz |
| Permitted ambient temperature | -25...+70 °C |
| LED-display | Yellow |
| Protective circuit | Built-in |
| Degree of protection IEC 60529 | IP 67* |
| Norm | EN 60947-5-2 |
| Connection | Flange connector M12 x 1 |
| Housing material | PA / PPO |
| Active surface | PA / PPO |
| Lid | PA / PPO |
| Accessories (delivered with the sensor) | 2 nuts M32 x 1.5 |



*For IP67 rating: the potentiometer must be sealed.

All Specifications are subject to change without notice

Made in Canada