



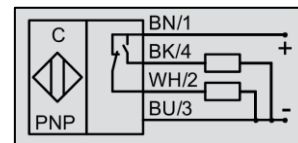
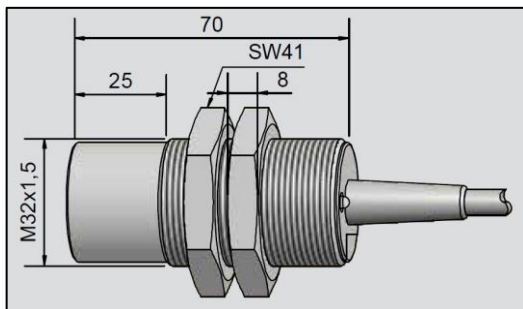
Capacitive Sensors Series 80 - PNP

- Non-flush mount
- Housing M32 x 1.5
- Capacitive sensor for level and position control
- Housing material: PA / PPO
- Sensing distance 2...30 mm adjustable
- With 2 meter cable



Technical Data

Article Number	KA0440
Description	KAS-80-35-A-M32-PPO-Z02-1-NL
Operating distance S_n	20 mm
Operating distance min. / max. adjustable	2...30 mm
Electrical version	4-wire DC
Output	Antivalent (NO + NC)
Operating voltage U_B	12...30 VDC
Voltage drop max. U_d	≤ 2 V
Permitted residual ripple max.	5%
Operating Current I_e	2 x 0...200 mA
No-load current I_0	< 15 mA
Frequency of operating cycles max.	50 Hz
Permitted ambient temperature	-25...+70 °C
LED-display	Yellow
Protective circuit	Built-in
Degree of protection IEC 60529	IP 67*
Norm	EN 60947-5-2
Connection	2 meter cable, PVC, 4 x 0.5 mm ²
Housing material	PA / PPO
Active surface	PA / PPO
Lid	PA / PPO
Accessories (delivered with the sensor)	2 nuts M32 x 1.5



*For IP67 rating: the potentiometer must be sealed.

All Specifications are subject to change without notice

Made in Canada