



## Capacitive Sensors Series 80 - PNP

Housing M 18 x 1

- Housing material: Brass
- Sensing distance 0.5...15 mm adjustable
- With flange connector M 12 x 1

With manufacturer certificate

for use in zone 2

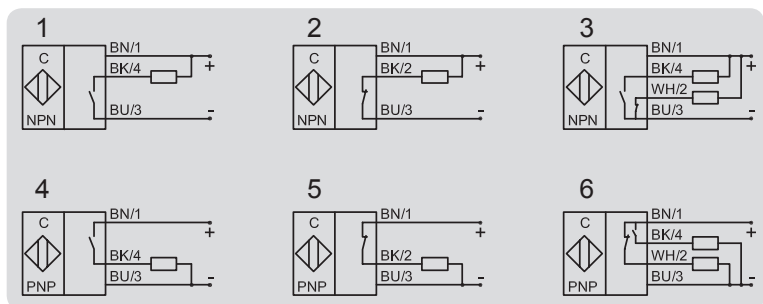
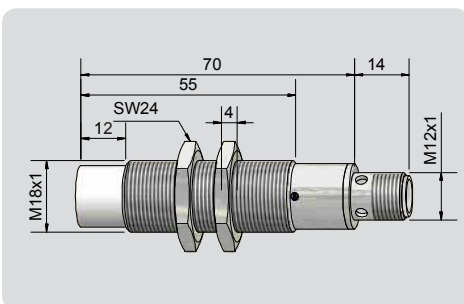
for use in zone 22

Ex II 3G Ex nA IIC T6 Gc X

Ex II 3D Ex mc IIIC T101°C Dc IP67 X



<b>Technical data</b>	Non-flush mountable
Operating distance $S_n$	8 mm
Operating distance min. / max. adjustable	0.5...15 mm
Electrical version	4-pin DC
Output	Antivalent (NO + NC)
<b>Type PNP</b>	<b>KAS-80-A23-A-Y5-3G-3D</b>
<b>Art.-No.</b>	<b>KA 0527</b>
Connection diagram No.	6
Operating voltage ( $U_B$ )	10...30 V DC
Voltage drop max. ( $U_d$ )	≤ 2.0 V
Permitted residual ripple max.	10 %
Operating current ( $I_e$ )	2 x 0...150 mA
No-load current ( $I_o$ )	Typ. 15 mA
Frequency of operating cycles max.	50 Hz
Permitted ambient temperature	-25...+70 °C
LED-display	Yellow
Protective circuit	Built-in
Degree of protection IEC 60529	IP 67
Norm	EN 60947-5-2
Connection	Flange connector M 12 x 1
Housing material	Brass
Active surface	PTFE (FDA 21 CFR 177.1550)
Lid	-
Media optimized	Yes
<b>Accessories</b> (is delivered with the sensor)	2 nuts M 18
For matching connectors please see our selection of accessories.	



**Made in Germany**

All specifications are subject to change without notice. (03.05.2016)