



## Capacitive Sensors Series 80 - PNP

Housing M 32 x 1.5

- For use in zone 22
- Housing material: PPO
- Sensing distance 1...40 mm adjustable
- With flange connector M 12 x 1

With manufacturer certificate

for use in zone 2

for use in zone 22

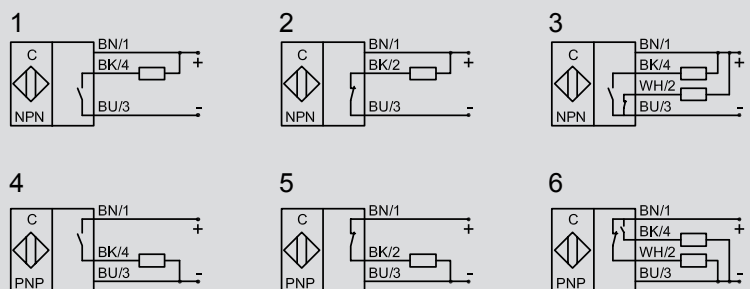
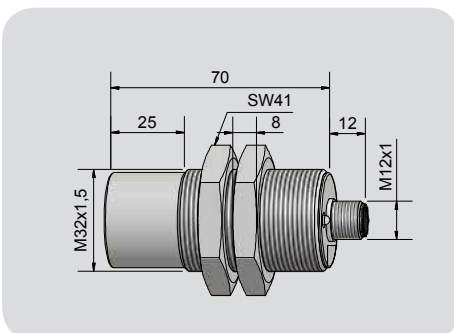
Ex II 3G Ex nA IIC T6 Gc X

Ex II 3D Ex mc IIIC T101°C Dc IP67 X



Technical data	Non-flush mountable
Operating distance $S_n$	25 mm
Operating distance min. / max. adjustable	1...40 mm
Electrical version	4-pin DC
Output	Antivalent (NO + NC)
<b>Type PNP</b>	<b>KAS-80-35-A-M32-Y5-3G-3D</b>
<b>Art.-No.</b>	<b>KA 0610</b>
Connection diagram No.	6
Operating voltage ( $U_B$ )	10...30 V DC
Voltage drop max. ( $U_d$ )	≤ 2.0 V
Permitted residual ripple max.	10 %
Operating current ( $I_e$ )	2 x 0...200 mA
No-load current ( $I_o$ )	Typ. 15 mA
Frequency of operating cycles max.	50 Hz
Permitted ambient temperature	-25...+70 °C
LED-display	Green / yellow
Protective circuit	Built-in
Degree of protection IEC 60529	IP 67*
Norm	EN 60947-5-2
Connection	Flange connector M 12 x 1
Housing material	PPO
Active surface	PPO
Lid	PPO
Accessories (delivered with the sensor)	2 nuts M 32 x 1.5, Protective clip

\* With sealed potentiometer screw



**Made in Germany**

All specifications are subject to change without notice. (21.06.2016)