



Capacitive Sensors S26 Series 80 - PNP - StEx - ATEX

Type of construction G 1"

- For use in areas with the risk of dust explosion, zone 20
- For use in areas with the risk of gas explosion, zone 1
- Housing material: PTFE
- Special version with flange. Sealing can be made with a gasket or PTFE-tape (not delivered with the sensor)

DMT 01 ATEX E 157	IECEX BVS 07.0015
Ex II 2 G Ex mb IIC T4 Gb	Ex mb IIC T4 Gb
Ex II 1/2 D Ex ta/tb IIIC T101°C Da/Db	Ex ta/tb IIIC T101°C Da/Db



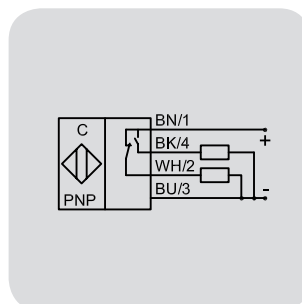
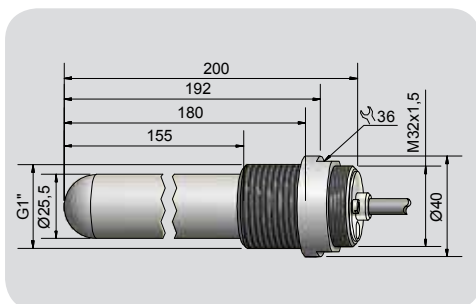
Technical data	Non-flush mountable
Level sensor, in contact with the product	Medium dependent adjustable
Operating distance min. / max. adjustable	0...20 mm
Electrical version	4-wire DC
Output function	Antivalent
Type PNP	KAS-80-26-A-K-G1"-200-PTFE-StEx
Art.-No.	KA 1253
Operating voltage (U _B)	10...30 V DC
Voltage drop max. (U _d)	≤ 2.0 V
Permitted residual ripple max.	10 %
Operating current (I _e)	2 x 0...150 mA
No-load current (I _o)	Typ. 15 mA
Frequency of operating cycles max.	50 Hz
Permitted ambient temperature	-20...+90 °C
LED-display	Green / yellow
Protective circuit	Built-in
Degree of protection IEC 60529	IP 67*
Norm	EN 60947-5-2
Connection cable	5 m, PVC, 4 x 0.5 mm ²
Housing material	PTFE (FDA 21 CFR 177.1550)
Active surface	PTFE (FDA 21 CFR 177.1550)
Lid	PC (FDA 21 CFR 177.1580)
Media optimized	Yes
Accessories (not delivered with the sensor): For varivent adapter, triclamp adapter, welding socket and protection Set M32 / PTFE # 196301 please see our selection of accessories.	

Capacitive Sensors S26 with hemispherical active surface for level control of products with a dielectric constant ϵ_r as of 1,1. Products can be:

- Bulk material, like plastic granules, powder, cereals, etc.
- Liquids, like water, juice, wine, oil, chemicals or pharmaceutical solutions and much more.
- Pastes in the food processing industry, liquid glue, resins or glue, etc.

All specifications are subject to change without notice. (02/2017)

* With sealed potentiometer screw



Made in Germany