



Capacitive Sensors Series 26

Type of construction G 1"

- Housing material: PTFE
- Special version with flange. Sealing can be made with a gasket or PTFE-tape (not delivered with the sensor)
- With Bluetooth function



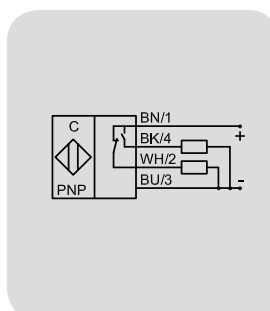
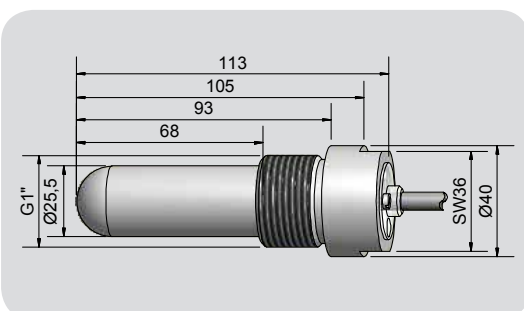
Technical data	Non-flush mountable
Level sensor, in contact with the product	Medium dependent adjustable
Operating distance min. / max. adjustable	0...20 mm
Electrical version	4-wire DC
Output	Antivalent (NO + NC)
Type PNP	KAS-80-26-A-K-G1"-PTFE-BS
Art.-No.	KA 1403
Connection diagram No.	see below
Operating voltage (U_B)	10...35 V DC
Output current max. (I_o)	2 x 250 mA
Voltage drop max. (U_d)	≤ 2.0 V
Permitted residual ripple max.	10 %
No-load current (I_o)	Typ. 15 mA
Frequency of operating cycles max.	2 Hz
Permitted ambient temperature	-25...+70 °C /
LED-display	Green / yellow
Protective circuit	Built-in
Degree of protection IEC 60529	IP 67
Norm	EN 60947-5-2
Connection cable	2 m, PVC, 4 x 0.5 mm ²
Housing material	PTFE (FDA 21 CFR 177.1550)
Active surface	PTFE (FDA 21 CFR 177.1550)
Lid	PA
Media optimized	Yes

Capacitive Sensors of the 26 series have a hemispherical active surface for level control of products with a dielectric constant as low as 1.1 ϵ_r .

To detect products such as:

- Bulk materials, like plastic granules, powder, cereals, feedstuffs etc.
- Liquids, like water, juice, wine, oil, chemicals or pharmaceutical solutions etc.
- Pastes in the food processing industry, liquid gels, resins or glue, etc.
- With Bluetooth control function for:
 - Sensor sensitivity
 - Optimal sensor adjustment
 - Deposits on the sensor surface.

All specifications are subject to change without notice. (04/2016)

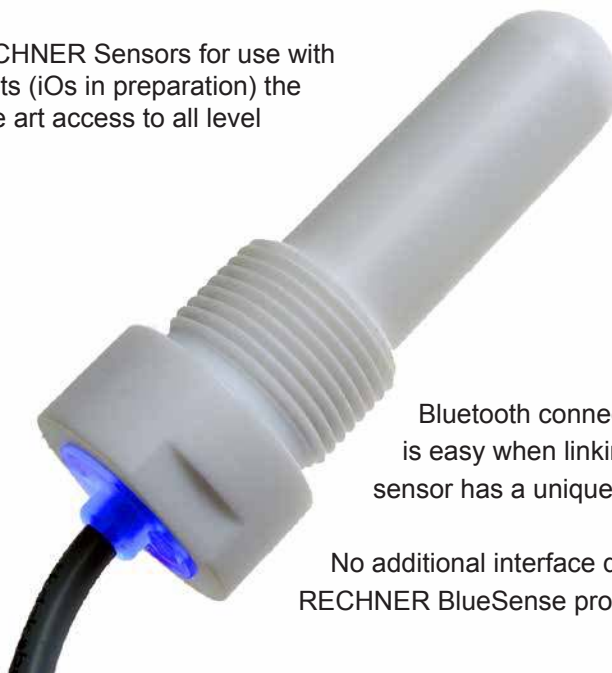
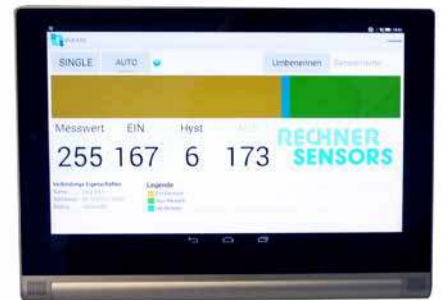


Made in Germany

World's first: BlueSense Capacitive sensor with Bluetooth

Rechner capacitive proximity sensors with a hemispherical active sensing area already have big application benefits for the user but now they are available with Bluetooth.

With the App provided by RECHNER Sensors for use with Android smartphones or tablets (iOS in preparation) the customer now has state of the art access to all level measurement parameters.



Bluetooth connection with RECHNER BlueSense devices is easy when linking to smartphones or tablets as each sensor has a unique identification address.

No additional interface device is required to receive data from RECHNER BlueSense products.



BlueSense lets the user know vital details such as:

- Is the sensor correctly adjusted for the application?
- Has it been adjusted to the ideal measuring range?
- Is the dielectric constant of the detected product changing e.g. due to humidity or changes in the mixture?
- How much product is deposited on the sensor surface?



BlueSense is the ultimate auxiliary set-up tool for users who want current status and control of their level measurement.