



Capacitive Sensors Series 80 - PNP

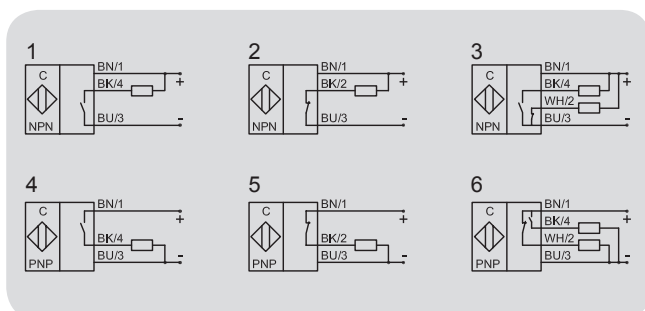
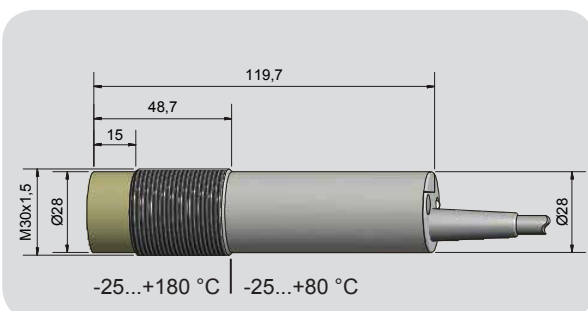
Housing M 30 x 1.5

- Housing material: Stainless steel VA No. 1.4305 / AISI 303
- Sensing distance 1...30 mm adjustable
- Maximum ambient temperature 180°C



Technical data	Non-flush mountable
Operating distance S_n	15 mm
Operating distance min. / max. adjustable	1...30 mm
Electrical version	4-wire DC
Output function	Antivalent
Type PNP	KA-80-A24/120-A-M-PEEK/VA-180C-Z02-1
Art.-No.	KA 1435
Connection diagram No.	6
Operating voltage (U_B)	10...30 V DC
Voltage drop max. (U_d)	≤ 2.0 V
Permitted residual ripple max.	10 %
Operating current (I_a)	2 x 0...150 mA
No-load current (I_o)	Typ. 15 mA
Frequency of operating cycles max.	50 Hz
Permitted ambient temperature	-25...+80 °C
Permitted ambient temperature (for active zone)	-25...+180 °C
LED-display	Green / yellow
Protective circuit	Built-in
Degree of protection IEC 529	IP 67*
Norm	EN 60947-5-2
Connection cable	2 m, PVC, 4 x 0.5 mm ²
Housing material	Stainless steel VA No. 1.4305 / AISI 303
Active surface	PEEK (FDA 21 CFR 177.2415)
Lid	PA / PPO
Media optimized	Yes
Accessories (is delivered with the sensor)	2 nuts M 30 x 1.5

* With sealed potentiometer screw



Made in Germany