



LevelMaster - Capacitive Sensors - S26 - Analogue Output 4 - 20 mA

Model NPT 1/2"

For level control of conductive and/or viscous liquids or pastes, for instance oil, water, ketchup or honey.

Ideal for level control in the Food Industry or Pharmaceutical Industry

- Housing material: Stainless steel (VA)
- Adjustment of the sensitivity with ETW- Function (EasyTeach by wire)
- With flange connector M 12 x 1
- With programmable analogue output 4 - 20 mA



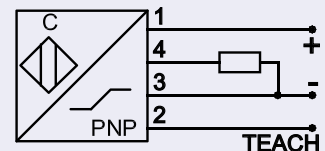
Technical data	Non-flush mountable
Sensitivity	Dielectric constant $\epsilon_r > 1.25$
Electrical version	3-pin DC
Output function	Analogue
Typ Analogue	KS-801-26/86-IL4-NPT1/2-PEEK/VAb-Y3-ETW-HP
Art. No.	KA 1489
Operating voltage (U_B)	12.5...35 V DC
Output signal	4...20 mA
Output current active surface free	≤ 4 mA
Output current active surface covered	≥ 20 mA
Load resistor (R_L)	0...600 Ohm
No-load current (I_0)	Typ. < 30 mA
Permitted ambient temperature	0...+70 °C / CIP 121 °C
Permitted product temperature	0...+100 °C
LED-display	Green / orange
Protective circuit	Built-in
Degree of protection IEC 60529	IP 67, IP 69K
Norm	EN 60947-5-2, EN 60947-5-7*
Connection	Connector M 12 x 1
Operating pressure	Max. 10 bar
Housing material	Stainless steel VA No. 1.4305 / AISI 303
Material active surface	PEEK (FDA 21 CFR 177.2415)

Capacitive Sensors of the S26 series with hemispherical active surface for analogue level control of products with a dielectric constant ϵ_r from 1,25. Products such as:

- Liquids, like, juice, wine, oil, chemicals or pharmaceutical solutions and much more.

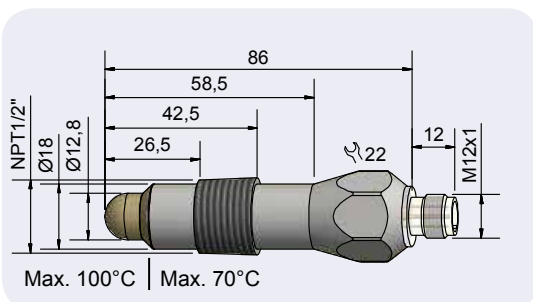
Highlights:

- EHEDG conform
- Applicable for quality control
- Permitted pressure on the active area: 10 bar



All specifications are subject to change without notice. (09/2017)

*Where applicable



EasyTeach chart:



Made in Germany

LevelMaster

**EXtra
Smart**

This capacitive sensor is designed for the analogue level control of liquid or viscous products, which can be conductive and/or viscous and sticky.

Materials like ketchup, mayonnaise, yoghurt, syrups, pastes, or liquids with salt or acids will be reliably detected with the LevelMaster.



It could not be easier.

The user mounts the sensor, makes the electrical connection and the adjustment by means of the teach wire and the sensor is ready for use.

No additional teach equipment necessary.

Optical guidance during the teach process with the aid of a 2-colour LED:

• standby • teach process • switching state

The modern micro controller controlled temperature compensation provides for reliable level control with applications where there are variations in the ambient temperatures.

The sensor body is made of stainless steel Material Nr. 1.4305 (AISI 303).

Directive (EC) 1935/2004

The traceability of the used plastic material PEEK according to the directive (EC) 1935/2004 is confirmed by RECHNER with a conformity declaration, that is provided on the website as download document under certificates.



All specifications are subject to change without notice. (09/2017)