



Capacitive Filling Level Probe - KFS

Series: **PER LEVEL®**

3 Limit value switching points

- For connection to the capacitive amplifier:
KFA-5-...-Y70 with plug connection Art.-No. 66101205
- Housing material: GFK, 16 mm Ø
- Connection head and process connection stainless steel VA
- Process connection 1"
- Probe length 500 mm

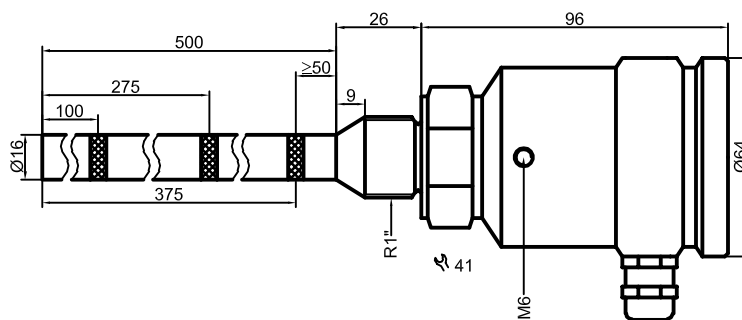
Certificate:



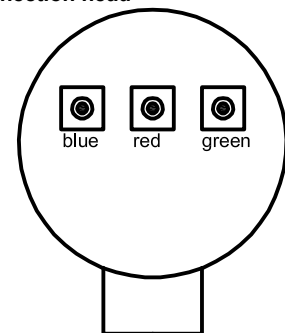
Technical data

Active zones [mm]	10...25, related to probe tip + 2 x type specific 275 mm / 375 mm
Type	KFS-5-3-GL-500-100/275/375-VA-1"Y70
Art.-No.	KF 0159
Permitted ambient temperature	-25...+100 °C
Permitted ambient temperature (for active zone)	-25...+150 °C
Degree of protection IEC 60529 (housing)	IP 67
Degree of protection IEC 60529 (screwing*cable connection)	IP 54
Norm	EN 60947-5-2
Connection to the evaluation unit KFA-5-...-Y70	SMB-sockets within the connection head
Housing material	VA No. 1.4571
Active zone	GFK
Pressure	25 bar

All specifications are subject to change without notice. (08.02.2011)



Connection sockets within connection head



Made in Germany