

Capacitive Filling Level Probe - KFX
Series: ^{PER}LEVEL COMPACT
NPN Output - Antivalent
PNP Output - Antivalent
1 Limit value switching point

- Integrated evaluation electronics
- Housing material: GFK, 16 mm Ø
- Connection head and process connection aluminium die cast
- Process connection 1"
- Probe length max. 2000 mm

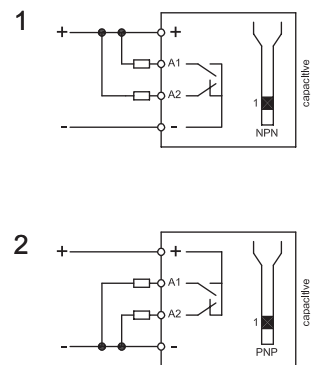
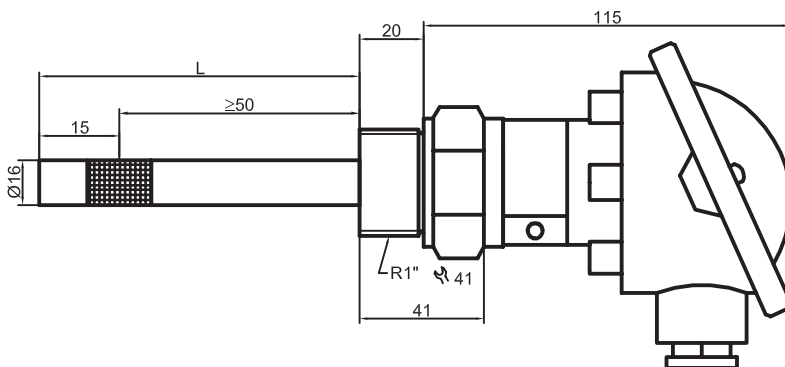
Certificate:



Technical data

Active zone [mm]	10...25, related to probe tip
Electrical version	4 connections DC
Output function	Antivalent
Type NPN	KFX-5-1-"L"-15-N-A-AL-1"
Connection diagram No.	1
Type PNP	KFX-5-1-"L"-15-P-A-AL-1"
Connection diagram No.	2
Operating voltage (U_b)	18...36 V DC
Output current max. (I_o)	2 x 250 mA
Voltage drop max. (U_d)	≤ 2.5 V
Permitted residual ripple max.	40 %
No-load current (I_o)	Typ. 50 mA
Switching frequency max.	4 Hz
Permitted ambient temperature	-25...+55 °C
Permitted ambient temperature (for active zone)	-25...+100 °C
Pressure	6 bar
LED-Display	Green / yellow
Protective circuit	Built-in
Degree of protection IEC 60529	IP 67
Norm	EN 60947-5-2
Connection	Clamp terminal within the connection head
Housing material	AL
Active zone	GFK

All specifications are subject to change without notice. (10/2008)



Other housing materials for the active zone (probe), like PE, PVDF or PEEK on request.
 Please determine the total length „L“ when ordering.

Made in Germany