



Isolating Switching Amplifier

N-132/2-01 120...230 V AC

- To connect **two NAMUR-Sensors** or potential-free mechanical contacts, which are mounted in the zones 0, 1, 2 (Gas) or 20, 21, 22 (dust)
- Compact design - only 17.6 mm width
- Removable screw terminals
- Indication sensor wire-break or shortcircuit via LED display

Certificate:



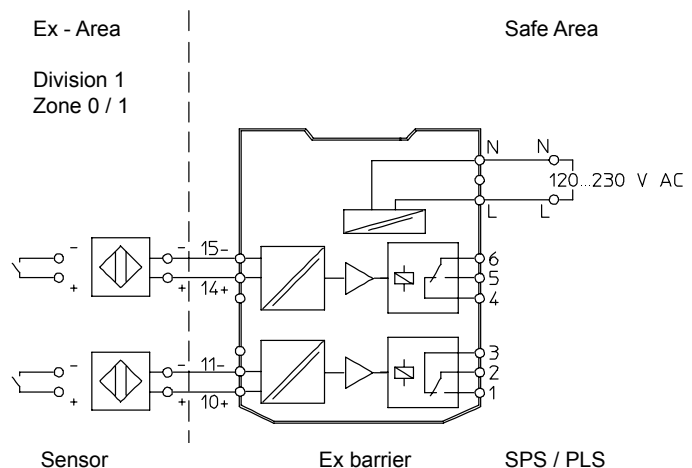
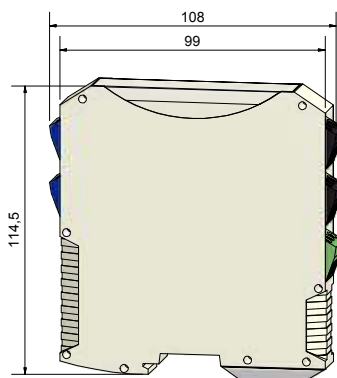
DMT 09 ATEX E 087X	IECEx BVS 10.0088X
[Ex] II (1) G [Ex ia] IIC	[Ex ia] IIC
[Ex] II (1) D [Ex ia] IIIC	[Ex ia] IIIC



Technical data

Operating voltage (U_B)	120...230 V AC
Output function	2 x change-over contact potential-free
Contact rating each relay AC max.	250 V AC / 4 A
Contact rating each relay DC max.	250 V DC / 2 A
Type	N-132/2-01
Art.-No.	N 00015
No-load current (I_o)	Typ. 18 mA
No-load voltage max. (U_o)	9.6 V DC
Short-circuit current max. (I_k)	20 mA
Outer inductance max. (L_o)	[Ex ia] IIC 90 mH / IIB 340 mH
Outer capacitance max. (C_o)	[Ex ia] IIC 3.6 μ F / IIB 26 μ F
Actuating signal	NAMUR EN 60547-5-6
Permitted ambient temperature	-20...+70 °C
Display	Red / yellow and green
Degree of protection IC 60529	Housing: IP 30 Terminals: IP 20
Norm	EN 60947-5-6
Connection	Screw terminals

All specifications are subject to change without notice. (09/2011)



Made in Germany