



Power Supply EG I Relay Output - MIN / MAX-Control

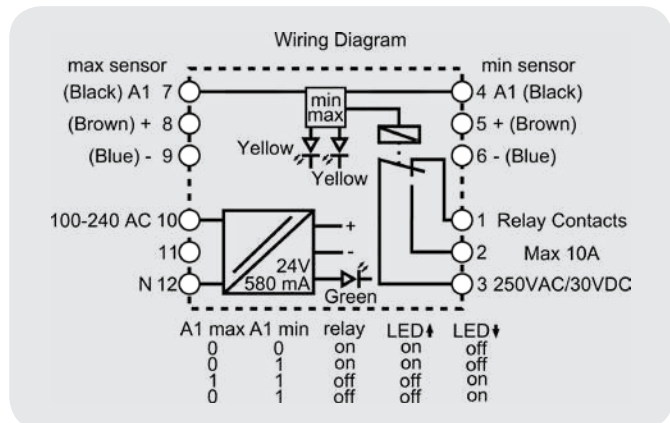
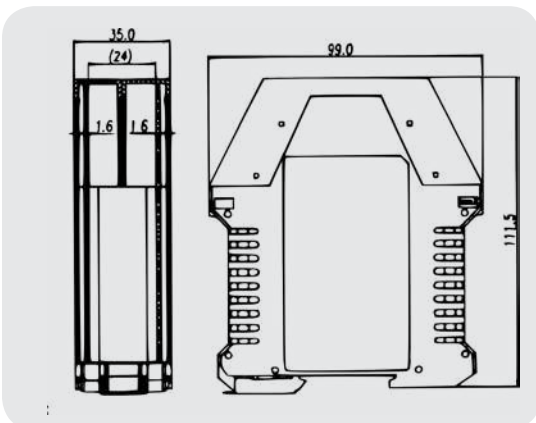
- To connect two 2, 3 (with normally open) or 4-wire sensors with NPN or PNP transistor output. When connecting an antivalent sensor (4-wire) the NO-output can be connected.
- With one output relay (SPDT) (1 x change over)
- Integrated MIN / MAX-Control



Technical data

Operating voltage (U_b)	100 / 240 V AC 50 / 60 Hz
No-load current (I_o)	Typ. < 50 mA
Output function	1 x potential-free change-over contact (SPDT) with MIN / MAX logic
Contact rating each relay max.	250 V AC / 30 V DC 10A
Type	EGI-RLC-MM
Art.-No.	NA 7003
Actuating voltage (U_s)	24 V DC
Actuating current max. (I_s)	580 mA
Residual ripple max.	2 %
Actuating signal	PNP or NPN
Permitted ambient temperature	-25...+40 °C
Display	LED green and yellow
Degree of protection IEC 60529	Housing: IP 30 Connections: IP 20
Connection	Screw terminals

All specifications are subject to change without notice. (23.04.2015)



Made in USA